



MODEL G2908

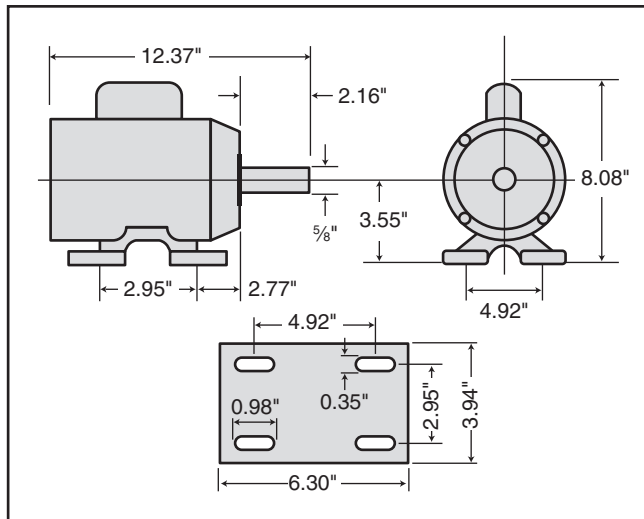
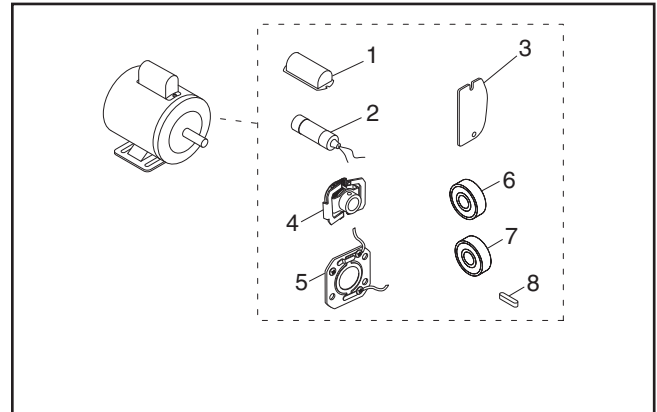
1½ HP ELECTRIC MOTOR

INSTRUCTION SHEET

Model G2908 Specifications

Power 1½ HP
 Cycle..... 60Hz
 Voltage 110/220V
 Prewired 110V
 Amps 15.6A/7.8A
 RPM..... 3450
 Phase Single
 Class..... E
 Start Capacitor 400MFD 125VAC
 Dimensions..... 1¾"D x 3¾"L
 Run Capacitor 25MFD 250VAC
 Dimensions..... 1¾"D x 2¾"L

Replaceable Parts

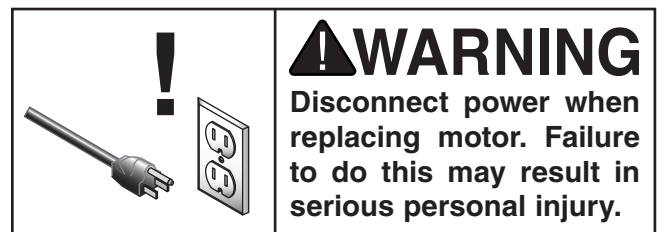
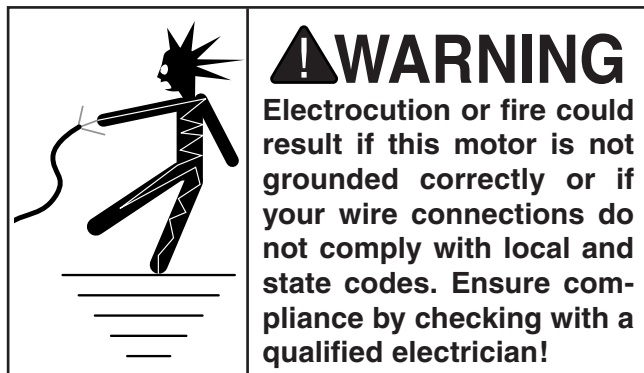


REF PART # DESCRIPTION

REF	PART #	DESCRIPTION
1	P2908001	S CAPACITOR COVER
2	PC400T	S CAPACITOR 400M 250V 1-3/4 X 3-3/8
3	P2908003	WIRING COVER PLATE
4	PCS007	CENTRIFUGAL SWITCH 1/2-3450
5	PCP001	CONTACT PLATE
6	P6202ZZ	BALL BEARING 6202ZZ
7	P6203ZZ	BALL BEARING 6203ZZ
8	PK15	KEY 3/16 X 3/16 X 1-1/4
9	P2908009	R CAPACITOR COVER
10	PC025B	R CAPACITOR 25M 250V 1-3/8 X 2-3/8

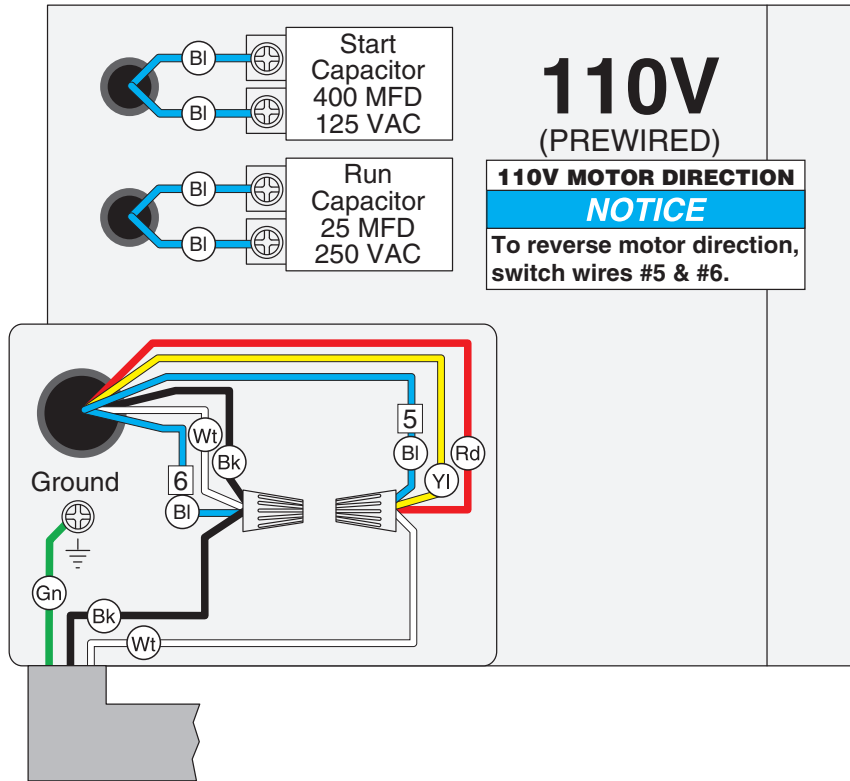
Making Wire Connections

If you are unsure how to attach wires to terminals, DO NOT continue. Contact an electrician for assistance. Connecting wires improperly may cause them to come loose or contact other wires, which can cause electrocution, fire, or a short.



G2908 Wiring Diagram

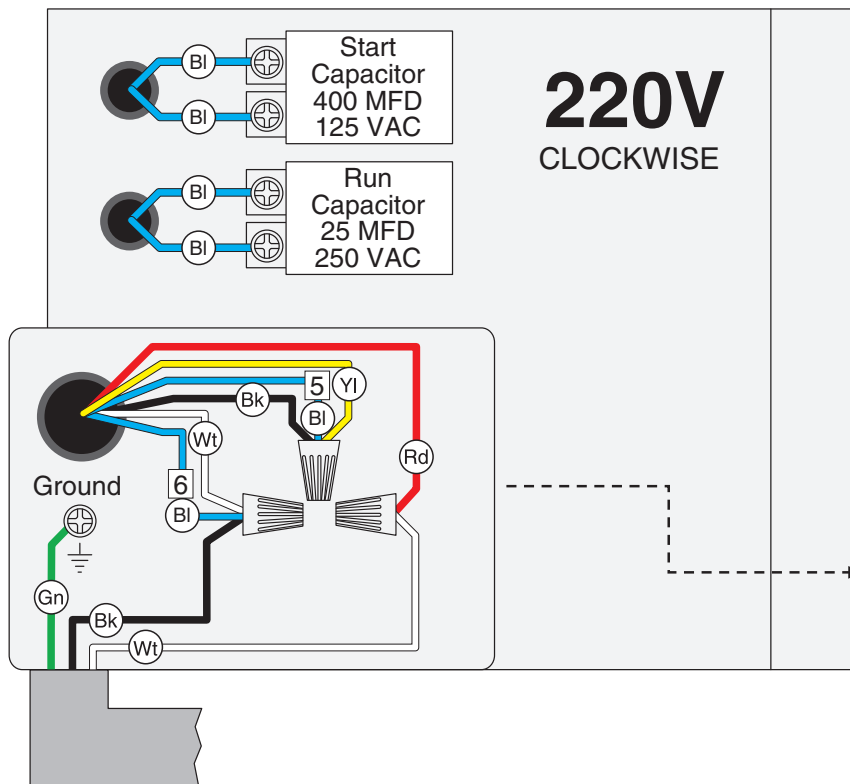
View this page in color at www.grizzly.com.



COLOR KEY

BLACK	Bk
WHITE	Wt
GREEN	Gn
RED	Rd
YELLOW	Yl
BLUE	Bl

WARNING!
SHOCK HAZARD!
Disconnect power before working on wiring.



NOTICE
The motor wiring shown here is current at the time of printing, but it may not match your machine. Always use the wiring diagram inside the motor junction box.

